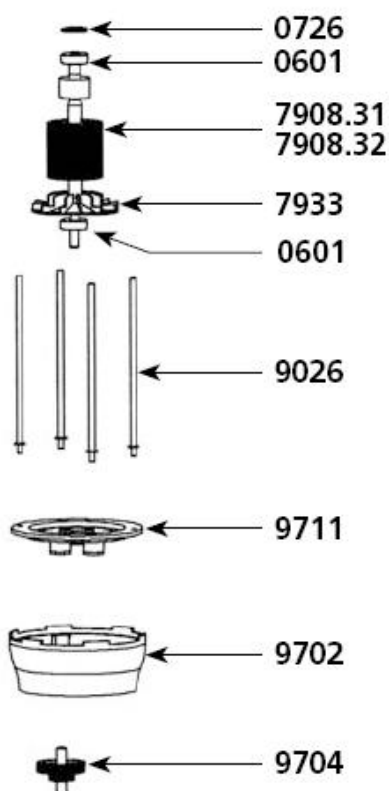
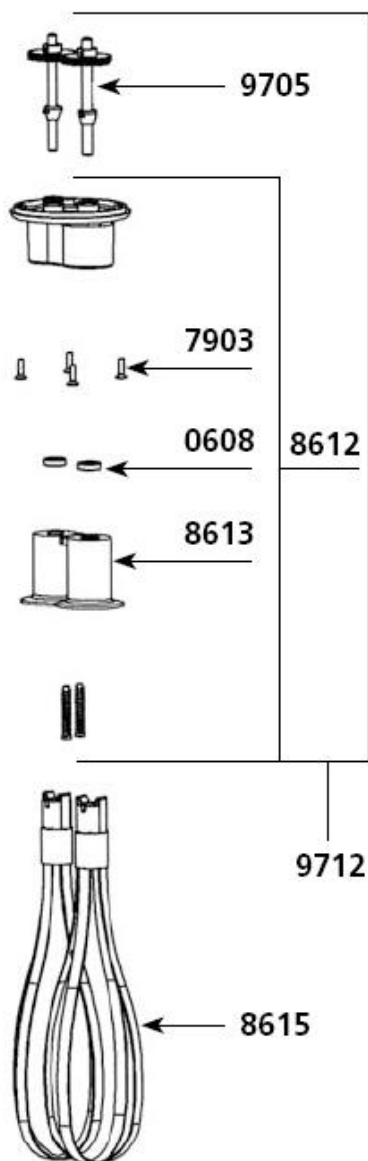


**B**



**C**



Machine	Explode	Code	Description
Ft 97 whisk	0504	AD505	CARBON BRUSHES (2)
Ft 97 whisk	0601	AD504	BALL BEARING
Ft 97 whisk	0608	☎	WATERPROOF SEAL
Ft 97 whisk	0726	AC148	SQUEEZING WASHER
Ft 97 whisk	0744	☎	PIN 3 X 20
Ft 97 whisk	0745	☎	PIN 3 X 14
Ft 97 whisk	0768	☎	SAFETY BUTTON RETURN SPRING
Ft 97 whisk	0881	☎	WALL BRACKET
Ft 97 whisk	0950	☎	STRAIN RELIEF 230 V

## Exploded diagram and spare parts list

CF011

Ft 97 whisk	0950.1		STRAIN RELIEF 115 V
Ft 97 whisk	0965		SWITCH 115 V
Ft 97 whisk	0972		CAPACITOR
Ft 97 whisk	0972.1		CAPACITOR + FILTER
Ft 97 whisk	1019		ID LABEL 115 V
Ft 97 whisk	1020		ID LABEL 230 V
Ft 97 whisk	1027	AD573	DYNAMIC LABEL
Ft 97 whisk	7903		BRACE SCREWS (4)
Ft 97 whisk	7908.31		ROTOR 115 V
Ft 97 whisk	7908.32	AD554	ROTOR 230 V
Ft 97 whisk	7933		FAN
Ft 97 whisk	8317		BRACE SCREWS (4)
Ft 97 whisk	8612		HOLDER + PLASTIC EJECTOR + SEAL
Ft 97 whisk	8613		PLASTIC EJECTOR (PAIR)
Ft 97 whisk	8615	AD555	WHISK ONLY (PAIR)
Ft 97 whisk	9002		HALF HANDLE (BUTTON SIDE)
Ft 97 whisk	9005		SAFETY BUTTON
Ft 97 whisk	9009		PLUG
Ft 97 whisk	9010		CONTROL LEVER
Ft 97 whisk	9011		POWER CORD 230 V
Ft 97 whisk	9012		VARIABLE SPEED CONTROL BUTTON
Ft 97 whisk	9014		HANDLE SCREWS (4)
Ft 97 whisk	9015		MOTOR HOUSING BRUSH HOLDER
Ft 97 whisk	9016		STATOR 230 V
Ft 97 whisk	9023		FIELD BRACE SCREWS (2)
Ft 97 whisk	9026		BRACES
Ft 97 whisk	9038		STATOR 115 V
Ft 97 whisk	9040		POWER CORD 115 V
Ft 97 whisk	9043		CARBON BRUSH WIRES (230 V)
Ft 97 whisk	9066		POWER CORD (AUSTRALIAN)
Ft 97 whisk	9067		POWER CORD (ENGLISH)
Ft 97 whisk	9143		CARBON BRUSH WIRES (115 V)
Ft 97 whisk	9702		LOWER ALUMINUM HOUSING
Ft 97 whisk	9704	AD556	MIDDLE GEAR & SHAFT
Ft 97 whisk	9705		OUTPUT GEAR & SHAFT + PINS
Ft 97 whisk	9706		COMPLETE HANDLE 230 V
Ft 97 whisk	9706.1		COMPLETE HANDLE 115 V
Ft 97 whisk	9710		HALF HANDLE (LABEL SIDE) 230 V
Ft 97 whisk	9710.1		HALF HANDLE (LABEL SIDE) 115 V
Ft 97 whisk	9711		PLATE W/ 3 SEALS
Ft 97 whisk	9712		HOLDER WITHOUT GEAR
Ft 97 whisk	9713		VARIABLE SPEED CONTROL BOARD 230 V
Ft 97 whisk	9753		VARIABLE SPEED CONTROL BOARD 115 V