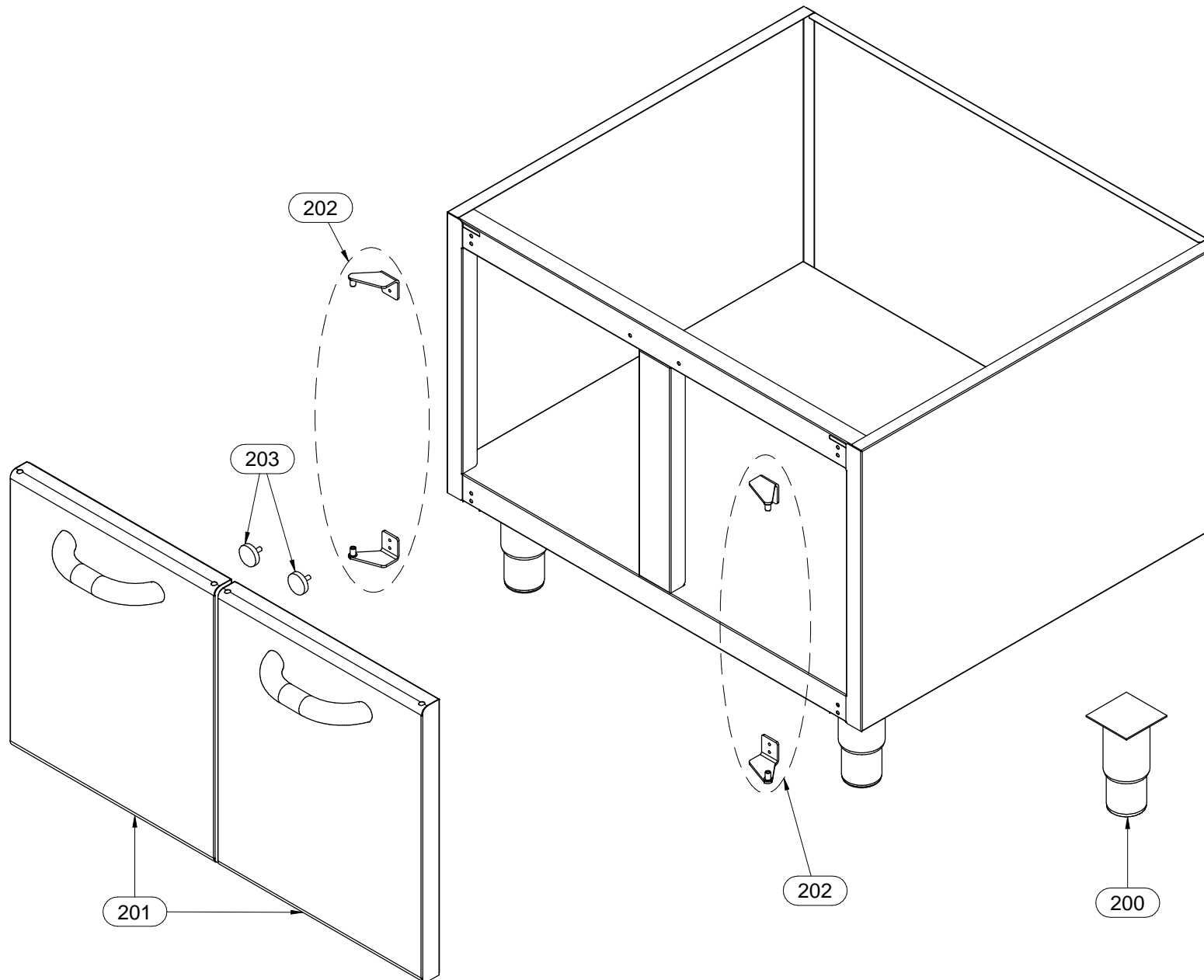


Mod./Type: 70 - 90 .../40 ... - .../80 ... - .../120 ...

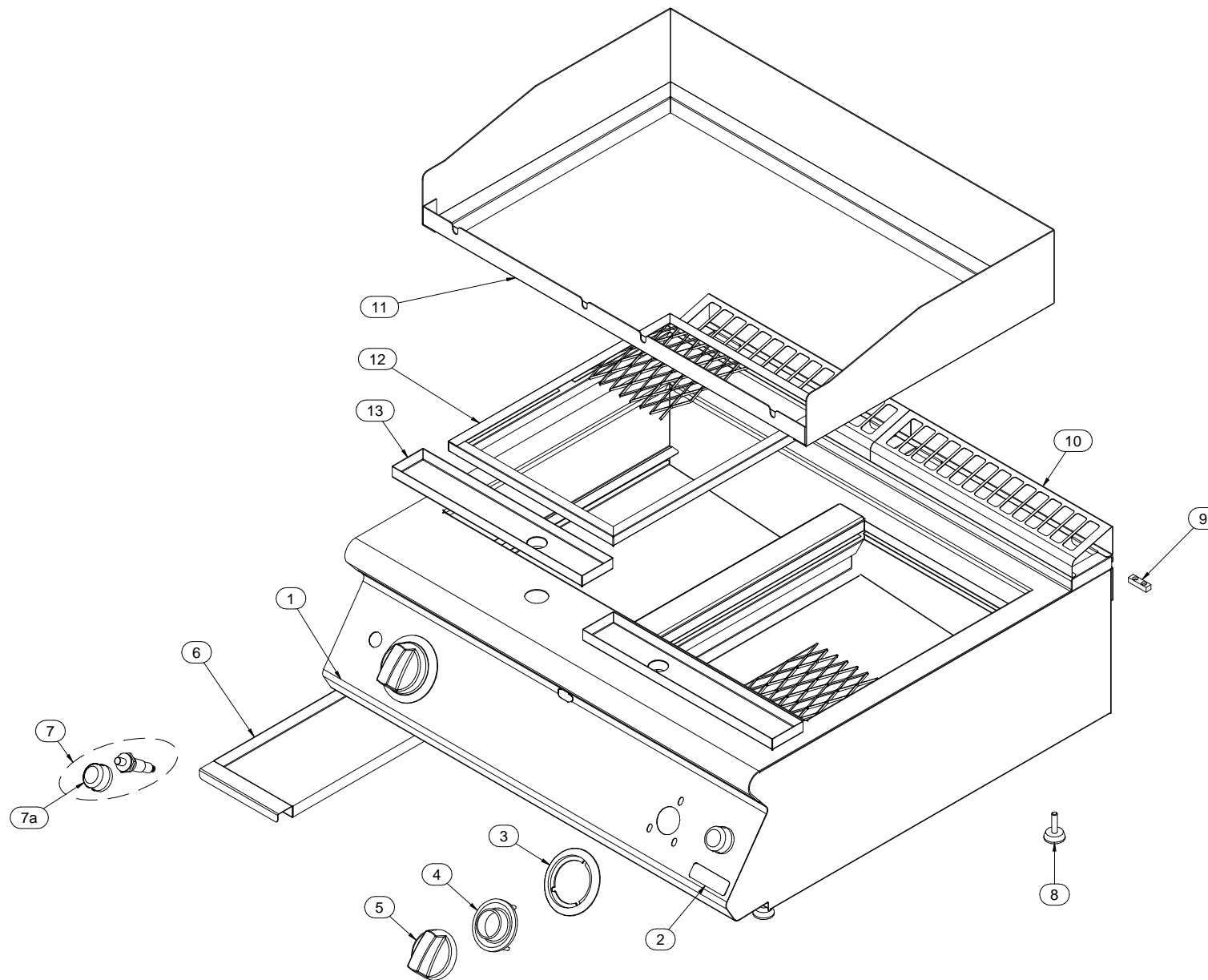
cod./num. 2531775.00

90/160 ... VANO / CABINET

data/date: 05/11/2014









Mod./Type: **\_70/... GRL... - \_90/... GRL...**

**EXTREME**

cod./num. 2531641.00

data/date: 10/05/2014

