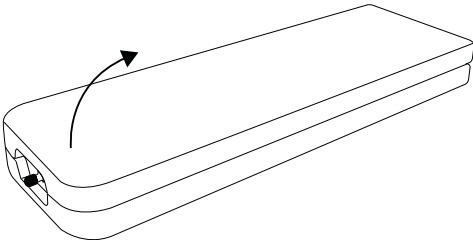




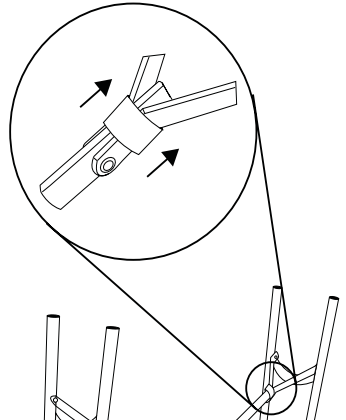
# Assembly Instructions Y817 Folding Bench


## Assembly




1. Place the folding bench upside down on a flat surface.
2. Release the lock and unfold the bench.

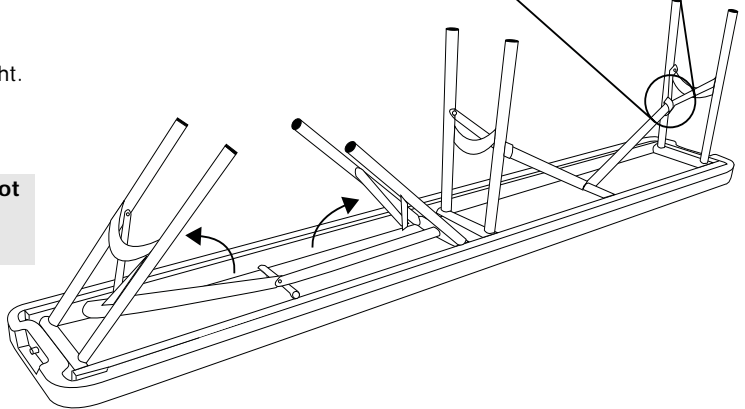
3. Lift up the legs.
4. Slide the joint locks over the joints.



 **WARNING: Ensure the joint locks are securely in place before using the bench.**

5. Turn the bench upright.

 **WARNING: Do not overload the bench.**



**BOLERO Telephone Helpline: 0845 146 2887**

**BOLERO, Fourth Way, Avonmouth, United Kingdom, BS11 8TB**